

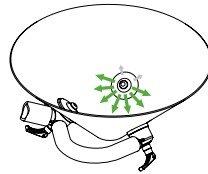
VBT QuickFlow

One-way air fluidizer for dry bulk tank trailers



POWERED BY TRAMONTANA™ DISK FLUIDIZER (PATENT PENDING)

THE FASTEST LOAD-OUT SPEED TESTED



Revolutionary Design

New, innovative & patented shape, designed to maximise system efficiency

AIR FLUIDIZER FOR DRY BULK TANK TRAILER



OLI





VBT Innovative Solutions

New, innovative, revolutionary

The VBT is designed to maximise trailer unloading efficiency: the TRAMONTANA™ disk fluidizer (patent pending) boosts powder discharge speed. The cam lever lock system allows for safe and correct installation. Self-cleaning manifold design.



Food & Pharmaceutical Grade

Made with FDA approved components

VBT SERIES

APPLICATION	Dry bulk tank trailer, rail tanker
POWDER	Dry, fine, granular
PROBLEM SOLVING	Bridging and rat-holing

FEATURES

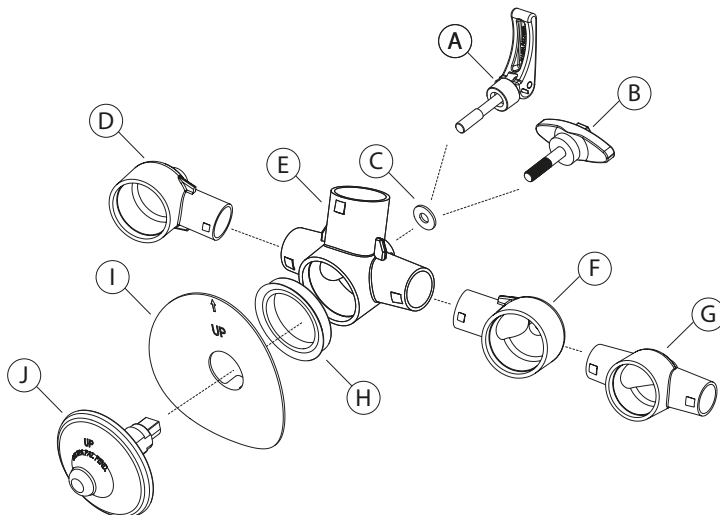
DUTY CYCLE	Continuous (suitable to be used with blower)
WORKING PRESSURE	From 0.7 Bar to 2 Bar (from 10 PSI to 29 PSI)
PNEUMATIC CIRCUIT	Suitable standard pneumatic bulk trailer, works with all standard designs
WORKING TEMPERATURE	From -40°C to 170°C (from -40°F to 340°F)
TECHNOLOGY	Vibro-aeration
MATERIAL	Blue silicone membrane - metal detectable, comply with FDA 177.2600 Stem - Black polyarylamide glass-fiber reinforced comply with 10/2011/EC - FDA - UL94 Manifold - Black polyarylamide glass-fiber reinforced comply with 10/2011/EC - FDA - UL94 Manifold - Transparent material comply with ISO 10993 - FDA 21 CFR 177.1655 - NSF 51 - UL94 Lever and T-handle - Black polyarylamide glass-fiber reinforced / Stainless steel thread shaft Silicone gasket

OPTIONS

CAM LEVER	Shaft material: AISI304
HOPPER SAVER PLATE	Stainless steel
SILICONE MEMBRANE	White colour



Components

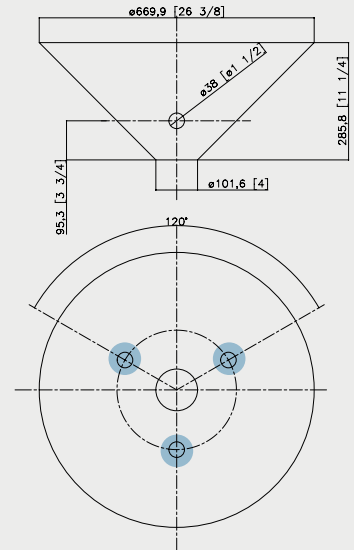


- A - Cam lever lock system - optional
- B - T-handle lock system
- C - Gasket
- D - LH 1way air collector
- E - 3way air collector
- F - RH 1way air collector
- G - 2way air collector
- H - Air collector gasket
- I - Hopper saver - optional
- J - Membrane

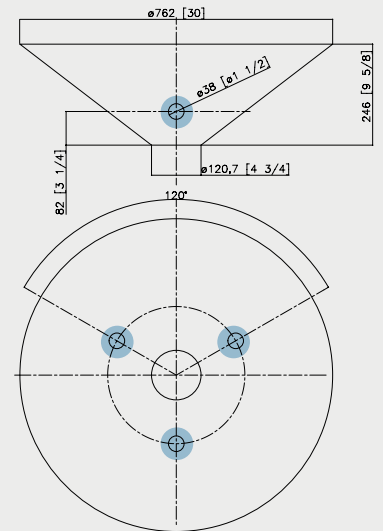
INSTALLATION

Dimensions are in cm, within brackets are in inches

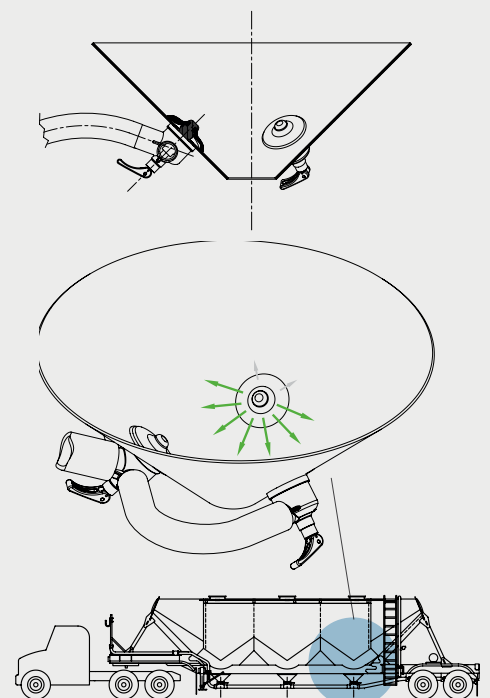
45° ANGLE TAPER



37° ANGLE TAPER



APPLICATION



Comparison chart – OLI vs. competitors



DURABILITY

COMPETITORS



Durable disk	Acceptable	Higher durability due to thicker profile in high wear areas
Stainless steel post	Optional	Standard
Manifold & stem	Fibre-reinforced grey plastic	High performance, FDA and UL94 engineering polymer compound
Max. temperature	170°C (340°F) (membrane only)	170°C (340°F) - white or blue membrane (complete unit)



EFFICIENCY

Enhanced air fluidizer	No	TRAMONTANA™ disk: the Venturi style disk cavity of the VBT boosts air flow in the direction of the discharge reducing load-out time
Compact manifold	No	Reduced turbulence, increased usable air flow, self cleaning manifold design - Zero powder deposit
Easy fit inlets	No	Increased air flow (by reducing tube bends)
Dual seal technology	No	Yes



DESIGN

Smooth disk outer wall	No	Smooth disk outer wall to avoid material sticking to its surface, thus increasing product flow
Easy installation	Good	Best
Clamping system	T-handle	T-handle as standard - CAM Lever Lock System (Optional) for safe, quick and correct installation
Food-grade	Option	Standard
Metal detectable disk	No	Standard
Interchangeability	Limited	Yes
Backflow protection	Yes	Yes



LOADOUT SPEED

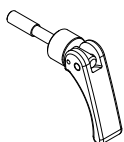
Loadout speed*	Good	25% faster than closest competitor
----------------	------	------------------------------------

* Based on testing conducted by WAMGROUP and field test. Competitors' data are the ones commercially available on the market. We do not take any responsibility regarding the accuracy of the above data.



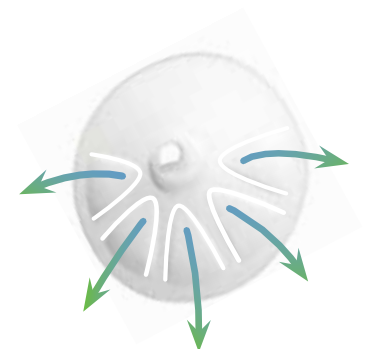
FASTER → TRAMONTANA™ disk fluidizer (patent pending)

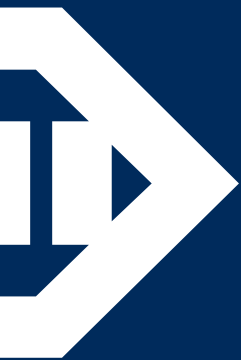
One-way directional air flow to boost powder discharge



SAFER → Cam lever lock system

Safe and correct installation, optimum operating tension





WHEN YOU NEED IT, WHERE YOU NEED IT

THE WORLDWIDE LEADER IN VIBRATION TECHNOLOGY



OLI HEADQUARTERS
VIA CANALAZZO 35
41036 MEDOLLA (MO) - ITALY

PHONE +39 0535 41 06 11
FAX +39 0535 41 06 50
E-MAIL INFO@OLIVIBRA.COM

WWW.OLIVIBRA.COM

WORLDWIDE SUBSIDIARIES

OLI Australia	OLI India	OLI South Africa
OLI Benelux	OLI Italy	OLI Spain
OLI Brazil	OLI Middle East	OLI Turkey
OLI China	OLI Nordic	OLI UK
OLI France	OLI Romania	OLI USA
OLI Germany	OLI Russia	

